

POE SWITCH-4 Ports



Main Features

- ◆ POE power supply
- ◆ Water proof and dust proof: IP 54
- ◆ 8-36V DC voltage input
- ◆ Compact size, light weight

Overview

Streamax SVT-PSwitch is a switch specially designed for the HD mobile DVR. It supports multiple channels of IPC, POE power supply. Characterized by low power consumption, high efficiency, and easy installation, this cost-effective POE switch would provide an ideal solution for mobile video surveillance system.

Features

1. The shell is made of high strength material for the terrible environment.
2. Connects the MDVR with RJ45 port with specially designed buckle to ensure the reliable connection in the vibration environment.
3. Supports 8-36V DC voltage input, suitable for 12V and 24V vehicles.
4. Provide one 10/100 / 1000M adaptive RJ45 port, four 10 / 100M adaptive adjustable RJ45 ports for auto flipping.
5. POE power supply
6. Protection class: IP54
7. Power supply standard applies to ISO7637-2
8. Anti-vibration standard applies to MIL-STD-810F

Specification

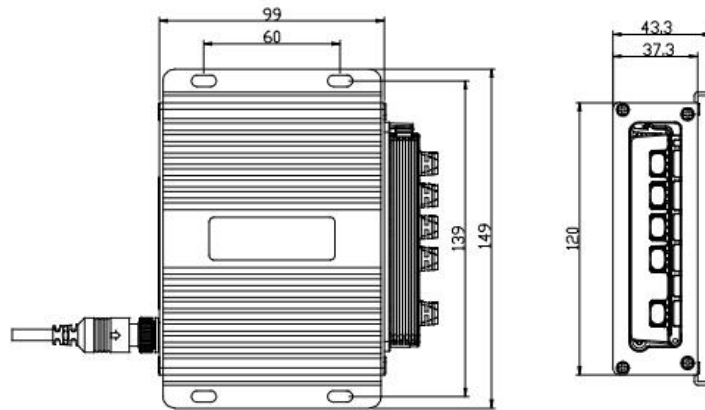
	Items	Specification
Ports	Feature	10/100/1000M adaptive (Up-link port) 10/100M adaptive (Down-link port)
	Type	RJ45
	Quantity	6
	Transmission medium	UTP 5-e and above
Power	Power consumption	≤3W
	Power input	DC8~36V + MDVR supply DC12V
	Camera power input	12V, each port can carry 7W
	Power supply standard	Each input port has anti-surge capability and the car power input port that applies to the ISO7637-2 standard
Others	LED indication	POWER/MDVR/IPC

	Anti-vibration standard	MIL-STD-810F
	Protection class	IP54
	Dimension	126mm(L) x 149mm(W) x 43.3mm(H)
	Environment	Working temperature: -40°C to 70°C Storage temperature: -40°C to 85°C Working Humidity: 10% to 90% RH non-condensing Storage Humidity: 5% to 95% RH non-condensing

Picture

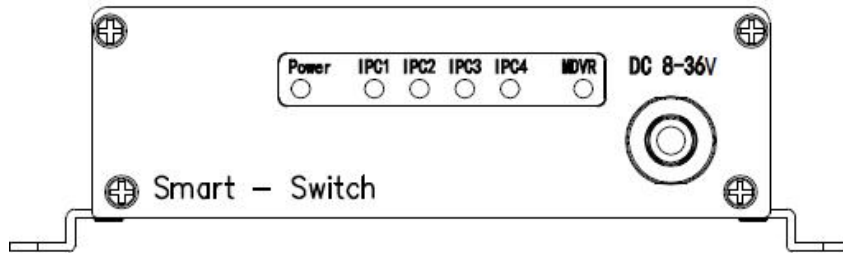


Dimension (Unit: mm)



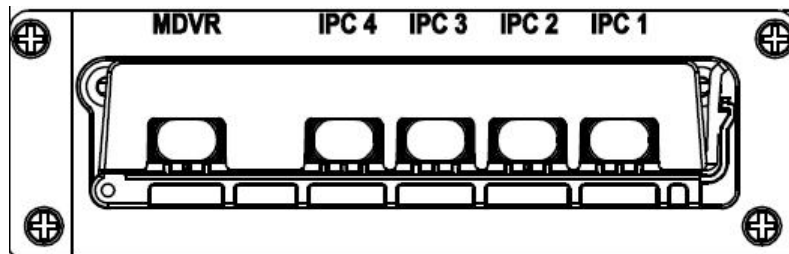
Interface definition

Front pane



Number	Print	Description
1	DC8--36V	External supply voltage range 8-36V
2	MDVR	MDVR connection status indicator light
	IPC1~IPC4	IPC connection status indicator light
	POWER	Power status indicator light

Rear panel



Number	Print	Description
1	MDVR	Network Port to connect the MDVR
2	IPC1~IPC4	The 1-4 IPC interface

Diagram

