

# POE SWITCH-8 Ports



## Main Features

- ◆ POE power supply
- ◆ Water proof and dust proof: IP 54
- ◆ 8-36V DC voltage input
- ◆ Compact size, light weight

## Overview

Streamax SVT-PSwitch is a switch specially designed for the HD mobile DVR. It supports multiple channels of IPC, POE power supply. Characterized by low power consumption, high efficiency, and easy installation, this cost-effective POE switch would provide an ideal solution for mobile video surveillance system.

## Features

1. The shell is made of high strength material for the terrible environment.
2. Connects the MDVR with RJ45 port with specially designed buckle to ensure the reliable connection in the vibration environment.
3. Supports 8-36V DC voltage input, suitable for 12V and 24V vehicles.
4. Provide one 10/100 / 1000M adaptive RJ45 port, eight 10 / 100M adaptive adjustable RJ45 ports for auto flipping.
5. POE power supply
6. Protection class: IP54
7. Power supply standard applies to ISO7637-2
8. Anti-vibration standard applies to MIL-STD-810F

## Specification

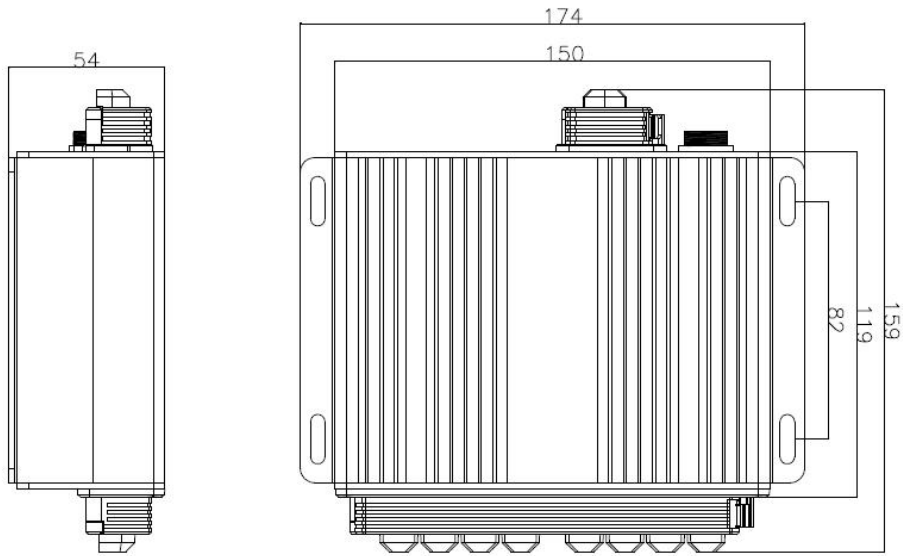
	Items	Specification
<b>Ports</b>	Feature	10/100/1000M adaptive (Up-link port) 10/100M adaptive (Down-link port)
	Type	RJ45
	Quantity	10
	Transmission medium	UTP 5-e and above
<b>Power</b>	Power consumption	≤3W
	Power input	DC8~36V + MDVR supply DC12V
	Camera power input	12V, each port can carry 7W
	Power supply standard	Each input port has anti-surge capability and the car power input port that applies to the ISO7637-2 standard
<b>Others</b>	LED indication	POWER/MDVR/IPC

Anti-vibration standard	MIL-STD-810F
Protection class	IP54
Dimension	159mm(L) x 174mm(W) x 54mm(H)
Weight	765g
Environment	Working temperature: -40°C to 70°C Storage temperature: -40°C to 85°C Working Humidity: 10% to 90% RH non-condensing Storage Humidity: 5% to 95% RH non-condensing

**Picture**

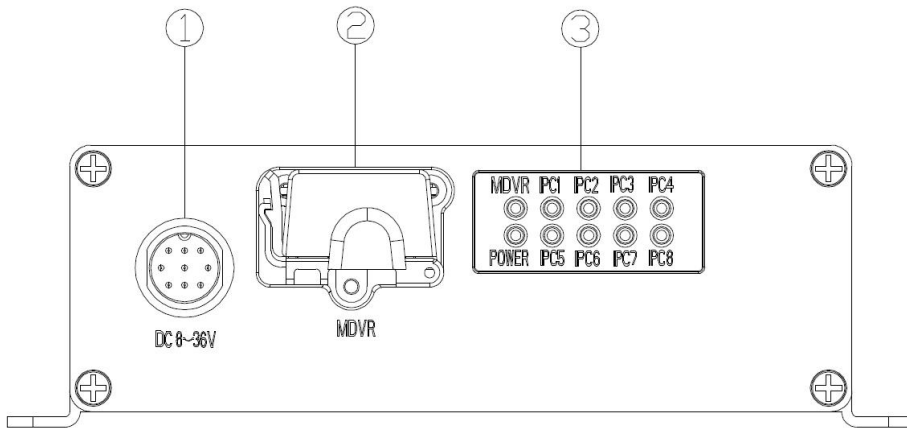


**Dimension (Unit: mm)**



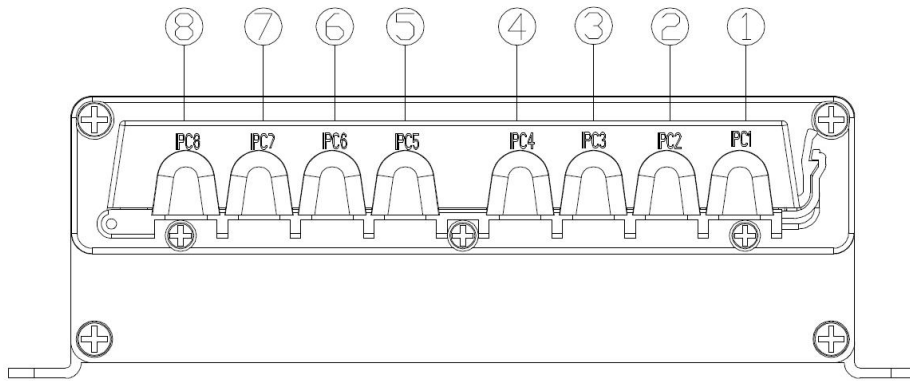
**Interface definition**

Front panel



Number	Print	Description
1	DC8--36V	External supply voltage range 8-36V
2	MDVR	Network Port to connect the MDVR
3	IPC1~IPC8	IPC connection status indicator light
	MDVR	MDVR connection status indicator light
	POWER	Power status indicator light

Rear panel



Number	Print	Description
1	IPC1-IPC8	The 1-8 IPC interface

Diagram

