

Uninterrupted Power Supply For X7



Main Features

- ◆ Compact appearance, light weight
- ◆ Being reliable and secure
- ◆ Seamless connection with mobile DVR

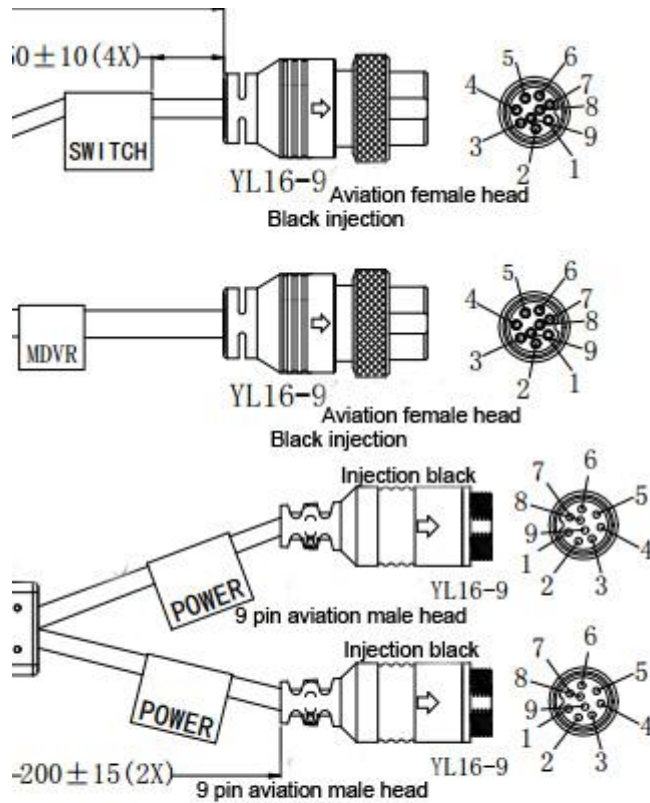
Overview

Streamax UPS 1.0 is a high-performance back-up power solution, using internal electronic circuit to measure, calculate and storage battery data, which makes the use and management of power supply more predictable. It solves the problem of high and low voltage pulse. In addition, there is protection for low pressure / over-voltage, overload, over current, over temperature, short circuit, and reverse polarity.

Specification

Item	General Parameter		Remark
Case material	Cold-rolled steel		
Charge voltage range	12---36V		Vout=Vmax (Vin Vb)
Casing material for single cell	Nickel plated steel		
Standard capacity (0.2C ₅ A)	6.9Ah		
Minimum Capacity (1C ₅ A)	6.762Ah		
Rated voltage (3 series batteries)	9.6V		Single cell Work voltage: 3.20V
Max.Charge voltage	10.8V		Single Ave. charge Voltage: 3.60V
Cut-off voltage	7.5V		Single Ave. Discharge Voltage: 2.50V
Standard charge current	3A		0.5C ₅ A
Charging Time	About 3h		0.5C ₅ A
Max Continuous discharge current	10A		1.5C ₅ A
Max discharge current	16A		2.3C ₅ A (2 minutes)
Battery dimension	124mm*30mm*144mm		
Total weight (Approx.)	About 830g		
Working temperature(CC/CV)	Charge	0°C~45°C	
	Discharge	0°C~60°C	
	Storage	-20°C~60°C	

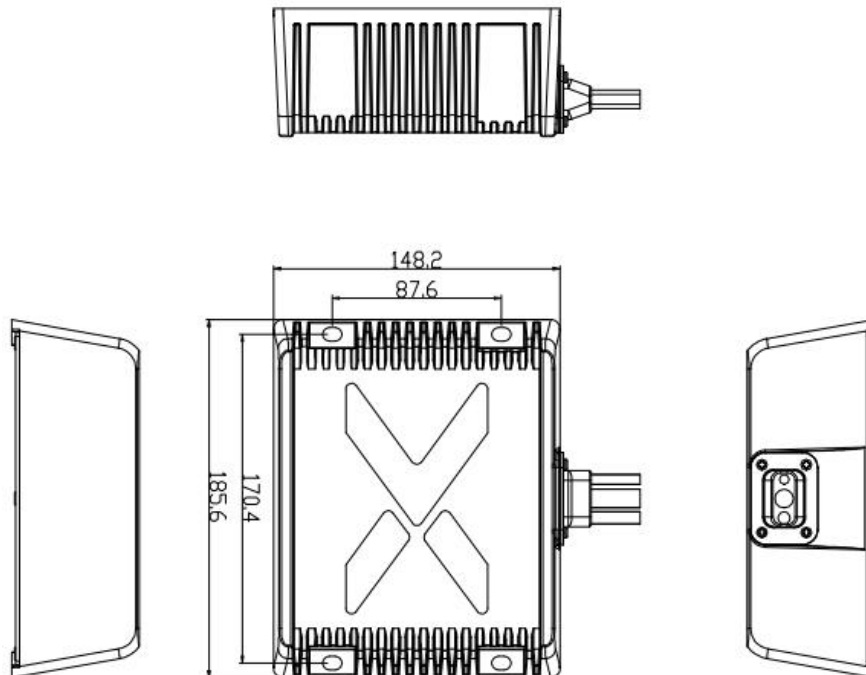
Signal Definition



Diagram

big 5557-10P YL16-9	
1, 2 — red	1, 2 PWR IN+ 18AWG*2
9	9 485B 24AWG
3	4 12V 24AWG
5, 6 — black	6, 7 PWR IN- 18AWG*2
10	8 485A 24AWG
8	3 ACC 24AWG
4	5 GND 24AWG
big 5557-10P YL16-9	
1, 2 — red	1, 2 PWR IN+ 18AWG*2
9	9 485B 24AWG
3	4 12V 24AWG
5, 6 — black	6, 7 PWR IN- 18AWG*2
10	8 485A 24AWG
8	3 ACC 24AWG
4	5 GND 24AWG
clipline	shelf #4 24AWG*3
big5557-6P YL16-9 male head	
2	1, 2 DC IN+ 16AWG
6	6, 7 DC IN- 16AWG
4 — orange	3 ACC 18AWG
big5557-6P YL16-9 male head	
1	1, 2 DC IN+ 16AWG
5	6, 7 DC IN- 16AWG
4 — orange	3 ACC 18AWG

Dimension (Unit: mm)



Performance

No.	Item	Standard	Testing method
1	Discharge performance in normal temperature	Discharge capacity /standard capacity×100% (A)0.2C ₅ A ≥100% (B)1C ₅ A ≥95%	Charge with 0.2C ₅ A standard charge in the condition of temperature 25°C±5°C, relative humidity 45%~80% (if there is no especial statement, the charging way is same as this.) Keep it for 10min and separately discharge with 0.2C ₅ A & 1C ₅ A to cut-off voltage 7.5V, cycles for three times. One cycle capacity arrive standard, that's to say it is qualified. (The below as the same)
2	Charging keep ability in normal temperature	Rest capacity≥standard capacity *90%	After standard charging, store it at 25°C±5°C for a month, and then discharge it to cut-off voltage 7.5V by 0.2C ₅ A. Then measure the capacity of cell.
3	Cycle life	Capacity≥ Standard capacity *80%	After 0.2 C ₅ A standard charged ,discharge it with 0.2 C ₅ A to 7.5V.rest for 10min, cycles for 2000 times.
4	Storage performance	Capacity can be kept ≥80% Storage for 12months.	After standard charged, keep it for 12 months as a open circuit, discharging it until 7.5V by 0.2C ₅ A, and then measure the leftover capacity. Measure its recovery capacity by 0.2 C ₅ A /0.2C ₅ A . Undertake 3 cycles, it passes when one cycle meets the standard.

Storage and Transportation

- Based on the character of cell, proper environment for transportation of LiFePO₄ battery pack need to be created to protect the battery.
- During transportation,50% SOC must be kept to ensure that short circuit, appearance of liquid in the battery or immersion of battery in liquid never occur.
- Battery should be kept at -20°C~60°C in warehouse where it's dry, clean and well-ventilated.
- During loading of battery, attention must be paid against dropping, turning over and serious stacking.

Warnings and Notice

In order to prevent the battery leaking, getting hot and exploding, please pay attention to preventing measure as following:

Warning

- Never throw the battery into water, keep it under dry, shady and cool circumstance when not use.

- Never upside down the positive and negative.
- Never connect the positive and negative of battery with metal.
- Never ship or store the battery together with metal
- Never knock, throw or trample the battery.
- Never cut through the battery with nail or other edge tool.

Notice

- Never use or keep the battery under the high temperature. Otherwise it will cause battery heat, get into fire or lose some function and reduce the life. The proposed temperature for long-term storage is 10-45°C.
- Never throw the battery into fire or heating machine to avoid fire, explosion and environment pollution; scrap battery should be returned to the supplier and handled by the recycle station.
- Never use the battery under strong static and strong magnetic field, otherwise it will destroy the protecting device.
- If battery leaked, the electrolyte get into eyes, please don't knead, please wash eyes by water and send to hospital. Otherwise it will hurt eyes.
- If battery emit peculiar smell, heating, distortion or appear any unconventionality during using, storage or charging process, please take it out from device or charge and stop using.
- Never cut the battery in socket directly; please use the stated charger when charging.
- Check the voltage of battery and relevant connectors before using the battery. It can't be used until everything turns out to be normal.
- Before charging, fully check the insulation, physical condition and aging status, since breakage and aging are never allowed; the pack voltage must not be less than 7.5 V, if not, it's abnormal and that battery needs to be labeled. The user should contact our Customer Service Dept and It can't be charged until repaired by our staff.
- The battery should be stored in half SOC. It needs to be charged once if not using for as long as half a year.
- Clean the dirty electrode, if any, with a clean dry cloth, or poor contact or operation failure may occur.